

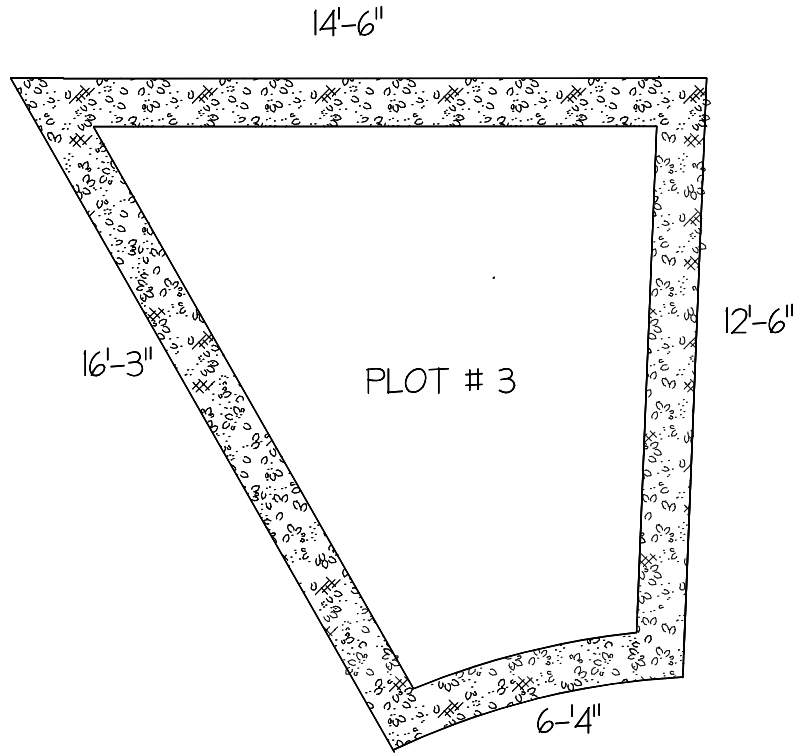
GROSSE POINTE GARDEN CENTER TRIAL GARDENS

PLOT # 2

SCALE: $1/4'' = 1' - 0''$

(Measurements taken from the edge of the Walkway)

REVISED MARCH 2023



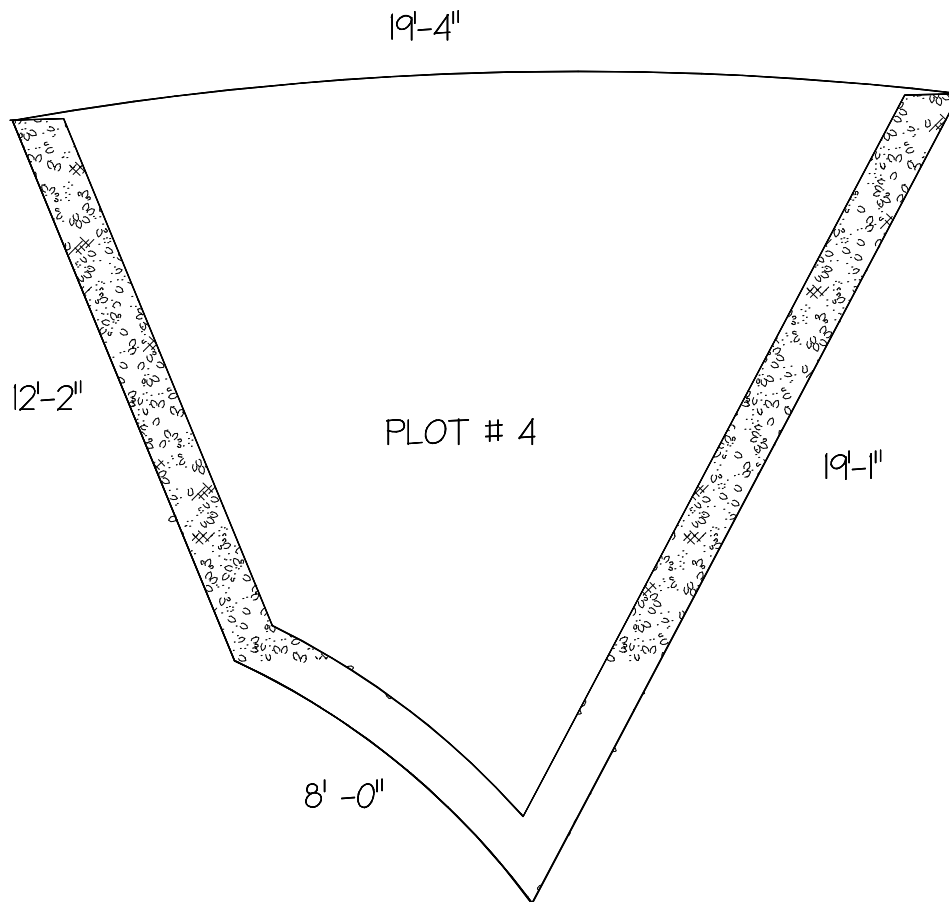
GROSSE POINTE GARDEN CENTER TRIAL GARDENS

PLOT # 3

SCALE: $1/4'' = 1' - 0''$

(Measurements taken from th edge of Walkway)

REVISED MARCH 2023



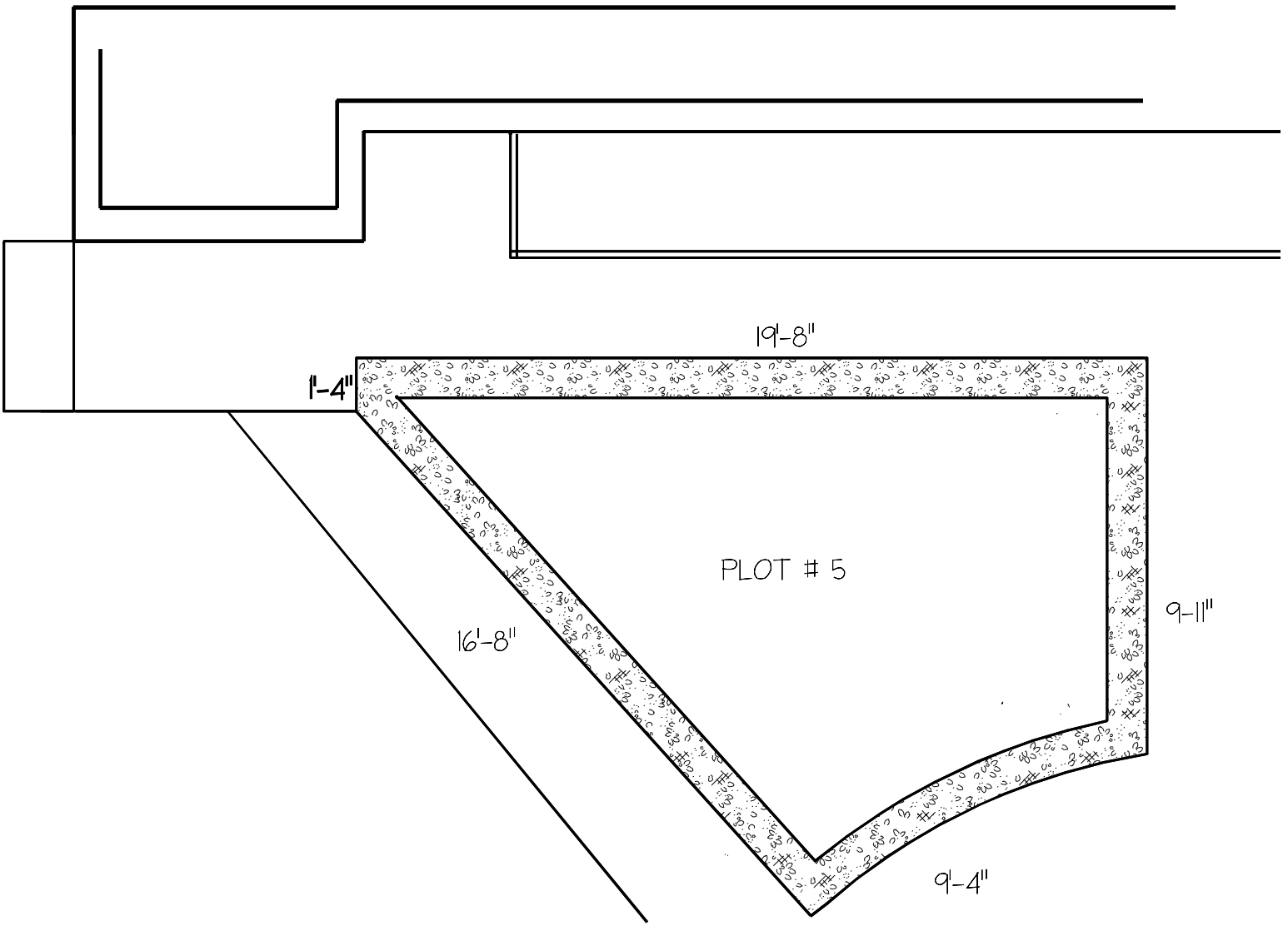
GROSSE POINTE GARDEN CENTER TRIAL GARDENS

PLOT # 4

SCALE: 1/4" = 1' - 0"

(Measurements taken from the edge of Walkway)

REVISED MARCH 2023



PLOT #5

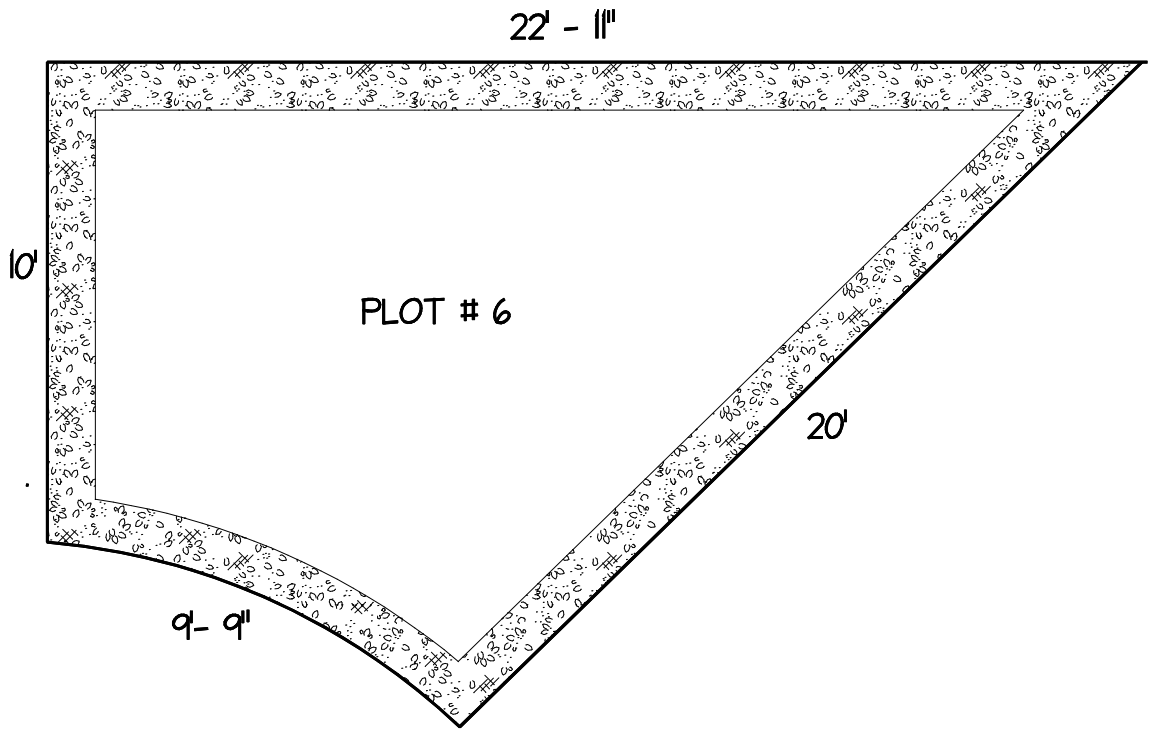
SCALE: 1/4" = 1' - 0"

GROSSE POINTE GARDEN CENTER TRIAL GARDENS

4/2021

(Measurements taken from the edge of the Walkway)

REVISED MARCH 2023

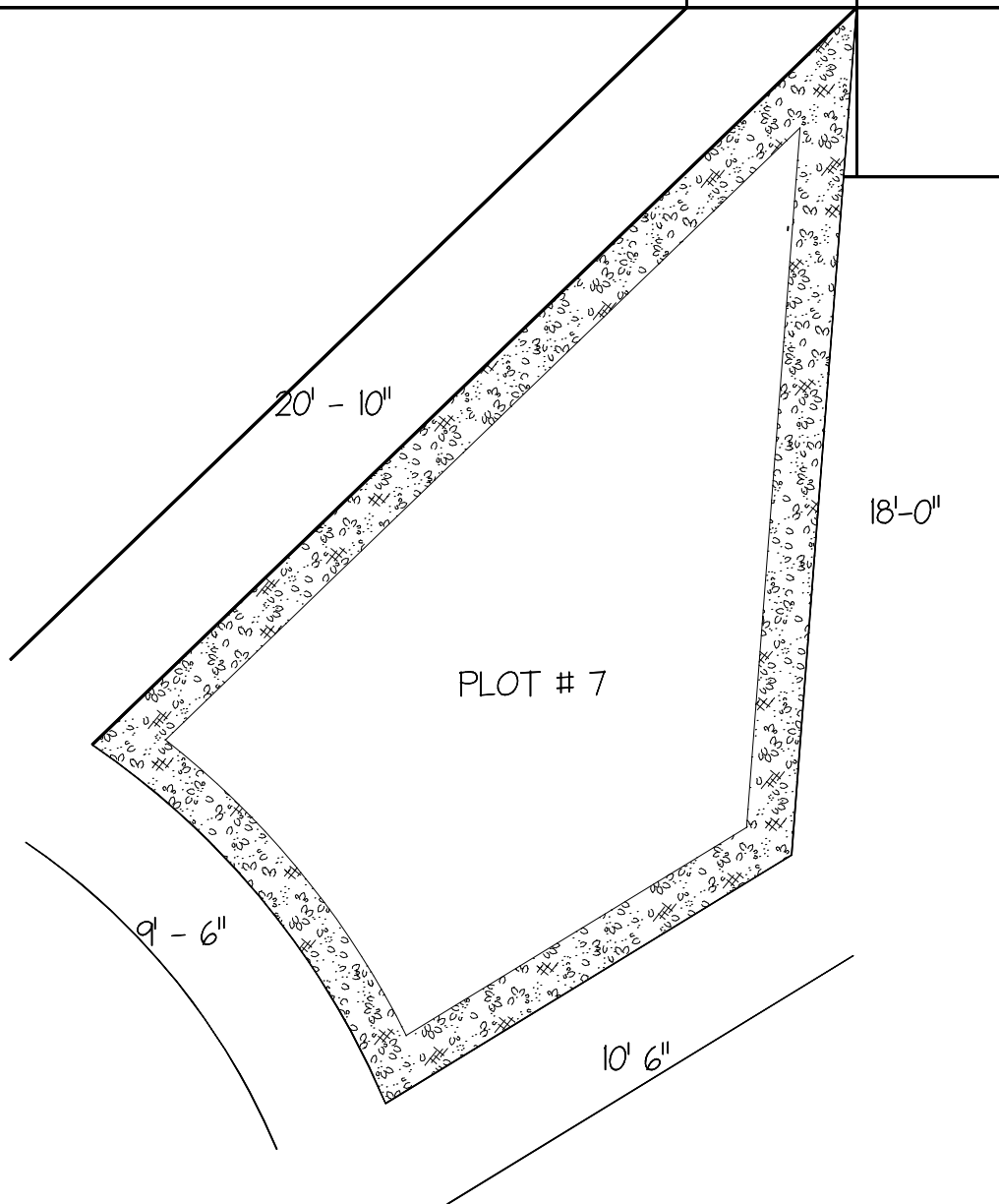


GROSSE POINTE GARDEN CENTER TRIAL GARDENS

PLOT # 6

SCALE: $1/4'' = 1' - 0''$
(Revised March 2023)

(Measurements taken from edge of brick walkway)

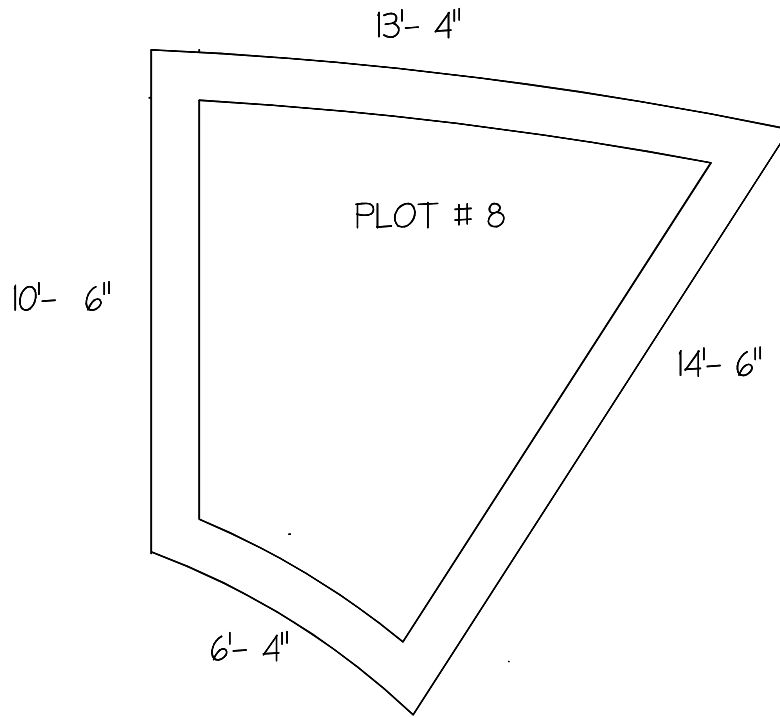


GROSSE POINTE GARDEN CENTER TRIAL GARDENS
PLOT # 7

SCALE: 1/4" = 1' - 0"
(Revised March 2023)

(Measurements taken from edge of pavement walkway)

(UNDER CONSTRUCTION)



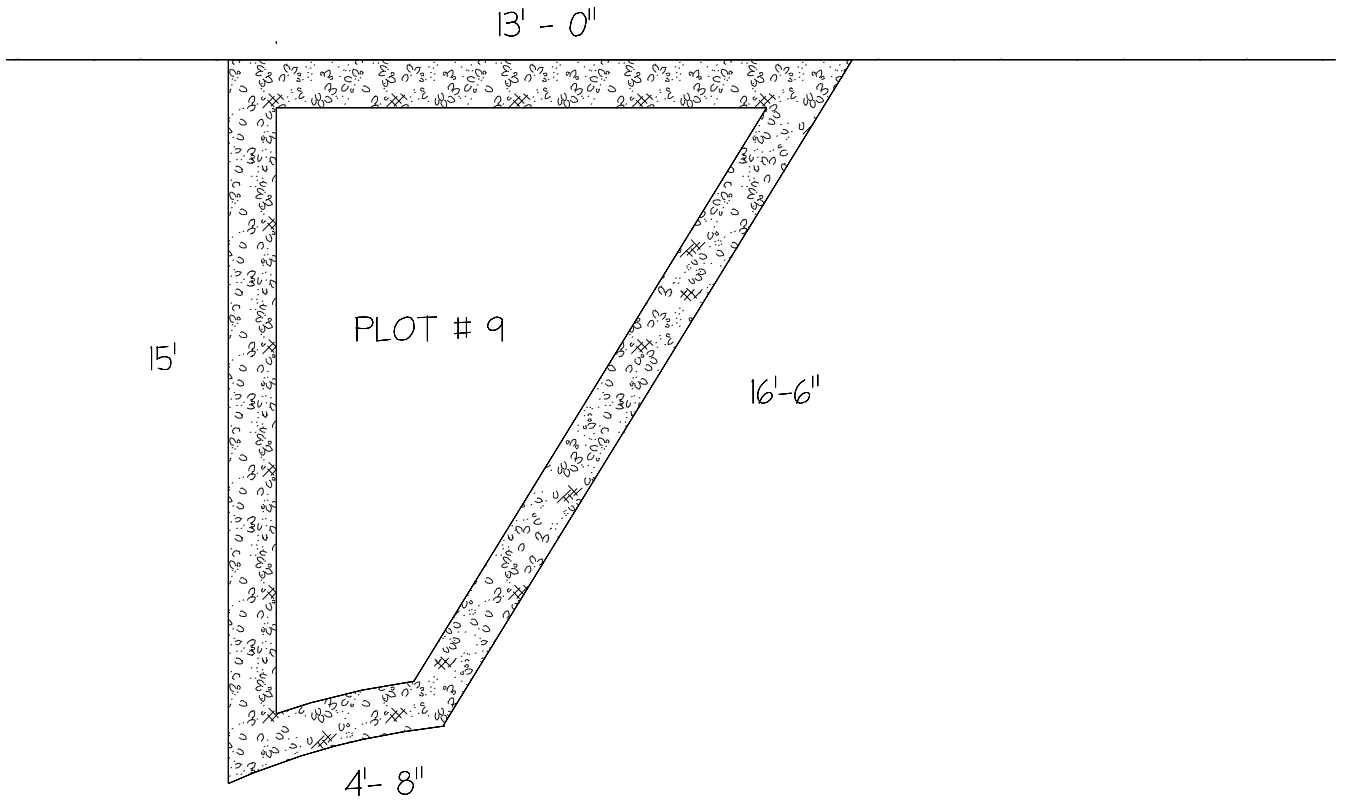
GROSSE POINTE GARDEN CENTER TRIAL GARDENS

PLOT # 8

SCALE: $1/4'' = 1' - 0''$
(Revised March 2023)

(Measurement taken from edge of walkway)

(UNDER CONSTRUCTION)



GROSSE POINTE GARDEN CENTER TRIAL GARDENS

PLOT # 9

SCALE: $1/4'' = 1' - 0''$
(Revised March 2023)

(Measurements taken from edge of walkway)